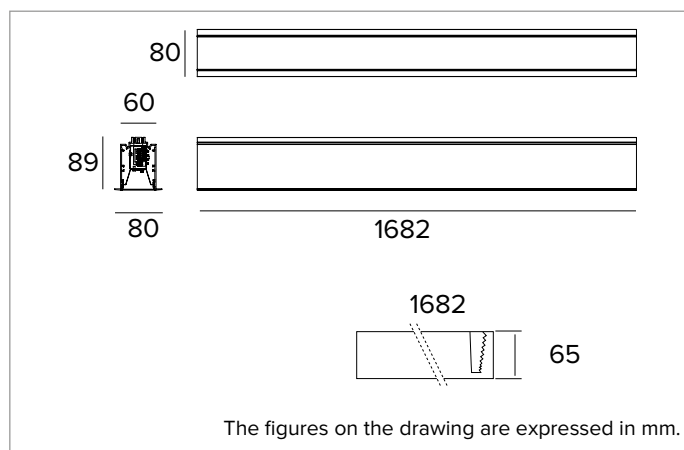


# 1T5479EL | LOGICO System - Recessed with flange - Continuous light module

## Linear LED recessed installation system with a flange



		3000K	H(m)	D1(m)	D2(m)	E <sub>max</sub> (lx)
		Ra80	19°	59°		
Fixture Power	81W	1	0.40	1.21	8318	
Source Flux	10320lm	2	0.79	2.42	2080	
Fixture Flux	8122lm	3	1.19	3.63	924	
Efficacy	100lm/W	4	1.59	4.84	520	
TS997	I <sub>max</sub> =1002cd/klm	I <sub>max</sub>	10337cd	5	1.99	6.04 333



### SOURCE

LED Engine made of linear LED boards Ra80. Tunable White version available on request.

**Energy efficiency class:** D

**Nominal power:** 72W

**Nominal flux:** 10320lm

**Colour rendering index:** 80

**Rf:** 82.9

**Rg:** 97

**CCT nominal:** 3000K

**SDCM:** 3

**Lifetime (L80/B10):** >50000h tq +25°C

### ILLUMINOTECHNICAL CHARACTERISTICS

Wall Washer - Optical system composed of a highly reflective polished aluminium reflector, a PMMA cylindrical lens, a holographic filter and transparent polycarbonate cover.

**Emission:** DOWN WW

**Optical efficiency:** 79%

**Fixture flux:** 8122lm

**Luminous efficacy:** 100lm/W

**Photobiological safety:** Compliant with RG0 exempt risk group

### MECHANICAL CHARACTERISTICS

White painted extruded aluminium body, available in four different lengths. Magnetic installation system to mount the light unit into the housing complete with an anti-fall safety cable.

**Colour and finish:** Plaster white

**Dimensions:** L=1682mm

**Weight:** 5Kg

**Version:** LINEAR

**Degree of protection:** IP20

### ELECTRICAL CHARACTERISTICS

Integrated electronic ON-OFF power supply. Complete with electrical cables to guarantee feeding continuity (max 2kW). Emergency Pack available on request. Luminaire compliant with EN 60598-2-22 for power supply from a centralised emergency system CPSS (Central Power Supply System), not incorporated in the luminaire - high risk areas excluded. The default power and flux are 100% in AC and 100% in DC.

**Fixture Power:** 81W

**Power supply:** 220-240Vac 50/60Hz

**Insulation Class:** CLASS 1

**Type of driver / Control:** ON-OFF

**Driver included:** YES

**Class F:** YES

**SAFE FLICKER:** PstLM=<1 and SVM=<0.4 (IEC TR 61547-1 and IEC TR 63158), to ensure a more comfortable and safe light

**Ambient temperature:** 0°C / +25°C

### INSTALLATION

For linear configurations complete with a special connector to attach to the power supply. To be completed with end caps.

### NOTES

110-277Vac version available on request.

### REGULATIONS AND CERTIFICATIONS

ENEC.

### WARRANTY

5 years.

### WARNING

Luminaire designed for disposal/recycling at end-of-life. Replaceable (LED only) light source by a professional. Replaceable control gear by a professional.

Due to the technological evolution of the electronic components, the data provided may be updated, and as such, confirmation must be requested during the order process.

Luminous flux and power supply have +/-10% tolerances with respect to the indicated value. tq +25°C (CIE 121).

We reserve the right to make technical changes.

Targetti Sankey S.r.l.  
Via Pratese, 164  
50145 Firenze - Italy  
Tel: +39 055 37911  
targetti.com  
targetti@targetti.com

CCIAA Firenze  
Share Capital:  
€ 500.000,00  
VAT N. (IT):  
01537660480  
R.E.A.: FI-275656

**TARGETTI**

## 1T5479EL | LOGICO System - Recessed with flange - Continuous light module

### Linear LED recessed installation system with a flange

#### Related codes

##### End Caps



Code

**1T5908**

End caps for the recessed version with a flange.

White.

2x

#### Accessories

##### Screen

Code

**1T6502**

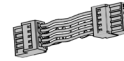
Accessory designed to improve the visual comfort of the Wall Washer version.

To be installed on a standard reflector.

Made of matte black painted aluminium.

280mm in length; to be ordered in the following quantities for every fixture length: 6 for the 1682mm version.

##### Electrical Connector



Code

**1T5911**

Linear electrical connector.

EL/DALI.

*Due to the technological evolution of the electronic components, the data provided may be updated, and as such, confirmation must be requested during the order process.*

*Luminous flux and power supply have +/-10% tolerances with respect to the indicated value. tq +25°C (CIE 121).*

*We reserve the right to make technical changes.*

Targetti Sankey S.r.l.  
Via Pratese, 164  
50145 Firenze - Italy  
Tel: +39 055 37911  
targetti.com  
targetti@targetti.com

CCIAA Firenze  
Share Capital:  
€ 500.000,00  
VAT N. (IT):  
01537660480  
R.E.A.: FI-275656

# TARGETTI